

Installation guide

Homefix XXL
Item no.: 1904

DE Installationsanleitung

GB Installation manual

FR Guide d'installation

NL Installatievoorschrift

ES Guía de instalación

SE Installationsanvisning

TR Yükleme Rehberi

RU инструкция по установке

CN 安装指南



DE

Achtung!

Technische Geräte stellen einen beträchtlichen Wert dar. Sie sollten daher bei der Installation vorsichtig mit den Komponenten umgehen und diese bei Bedarf schützen.

Auch sollte, falls nötig, der Installtionsbereich abgesichert werden. Herabfallende Teile können zu Verletzungen und Materialschäden führen.

Die im Lieferumfang enthaltenen Materialien sind unter Umständen nicht für die speziellen Gegebenheiten am Installationsort geeignet. Bitte prüfen Sie dies vorab und ersetzen Sie diese bei Bedarf durch geeignete Materialien.

Falls Sie Bezüglich der Installation des Produkts unsicher sind oder noch Fragen haben wenden Sie sich an uns oder anderes ausgebildetes Fachpersonal.

GB

Caution!

Technical devices are of considerable value. You should therefore handle the components carefully during installation and protect them if necessary.

If necessary, the installation area should also be secured. Falling parts can cause injuries and material damage.

The materials included in the scope of delivery may not be suitable for the special conditions at the installation site. Please check this in advance and replace it with suitable materials if necessary.


If you are unsure about the installation of the product or have any questions, please contact us or other trained specialists.


Please note!


Important information. Read before you start the installation.


Please read **all instructions** carefully before starting the installation.
For your own safety and to prevent damage or injury.


- 1.) Before starting the installation, check whether the ceiling is fully accessible and that no wires, cables or pipes block the way.
- 2.) The installer must check the load capacity of the construction, on which the lift will be mounted, as well as the expected occurring forces. This is a minimum requirement! Also make sure that you comply with local regulations.
- 3.) Before starting, make sure that all necessary fastening materials and tools are at hand.

 Only mount the projector, ceiling panel or other elements on the projector lift, after the lift has been fully installed and tested.

 The ceiling bracket must not be used for sporting activities and might not be used as a suspension for other objects.

 No additional loads may be attached to the ceiling bracket.

 To prevent the projector lift from moving during installation or maintenance, always turn off the power in the fuse box. Risk of electric shock!

 Make sure that nobody is below the lift during assembly. Falling parts or tools can cause serious injuries or even death.

Technical specifications

- nominal voltage: 230 V
- nominal frequency: 50 Hz
- current drain: 0,8 A
- power input, working: 0,180 KW
- rated torque: 15 Nm
- rated speed: 15 UPM
- load, max.: 25 kg
- standards: DIN EN 13561
DIN EN 13659
DIN EN 14202

Safety instructions

Risk of electric shock!

Before you start wiring work, make sure that the **lines are voltage-free**.

During the cabling work, it must be ensured that the lines remain de-energized (e.g. prevent them from being switched on again).

Please note!

- local protection regulations must be observed at all times
- mains and control lines must be laid separately

Required material

Only fastening materials for attaching to concrete ceilings are supplied, no fastening material is included for attaching the beamer lift to other types of ceilings. Make sure that all necessary fastening materials and tools are on hand. Check local building codes before the installation.

- Safety glasses
- Set of socket wrenches
- Set of ring spanners
- Set of allen keys
- Adjustable wrench
- Bubble level
- Ladder, scaffolding or liftung platform
- Drills and bits
- Screwdriver
- Helper, installation with two people is recommended

Parts list

- Beamer lift, pre-assembled
- Installation guide
- Remote control
- Screw set for concrete ceilings
- Screw set to conect beamer and lift
- flexible cable conduit, optional
- mounting frame, optional

Delivery condition

The lift is delivered pre-assembled. If there are any loose screws or parts in the delivery box, please contact the customer service. The lift is always set to a lifting height of 20 cm. Please check for completeness before you start.

Ceiling suspension

During the installation the lift will be lifted over your head, take suitable precautionary measures and safety precautions.

- Make sure that the device is disconnected from the electric power supply.
- Mark the mounting points on the ceiling and pre-drill them.
To do this, measure these points in advance on the projector lift.
Use only the included assembly material (screws, dowels).
- Attach the beamer lift to the ceiling at the intended mounting points.
Make sure there is enough space all around.
- Align the beamer lift on the ceiling by using a bubble level.
If necessary, use washers (not included).
- Tighten all screws securely.

Safety instructions

Please also note the safety information for the distance between the beamer and the screen and the installation instructions from the beamer manufacturer. Observe the operating instructions of all devices.

Disconnect the lift from the power supply before installing it on the ceiling and place the plug in the immediate field of vision so that you can supervise it immediately to prevent unauthorized insertion.

Danger of impact from falling materials or tools! While you are attaching the beamer lift to the ceiling, it might fall down. Installation with two people is recommended.

To mount the lift on the ceiling, you need a platform or a ladder for each person. A platform is preferable to a ladder. Make sure that the platform or the ladder is secure.

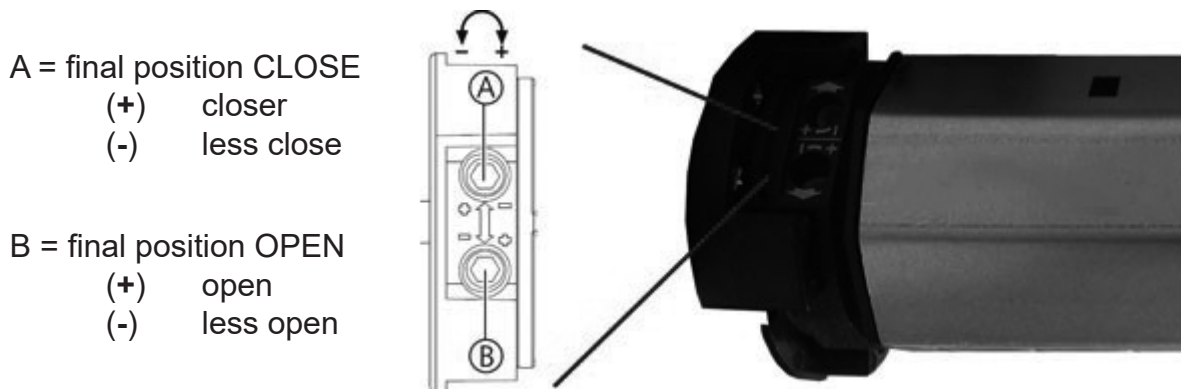
Risk of electric shock! You could get an electric shock while mounting the lift to the ceiling. The ceiling bracket may only be installed by a qualified electrician (e.g. an electrician or a craftsman with a comparable level of training).

Arrange the lift in the room so that, if the beamer is lowered, you cannot get caught between the lift and surrounding objects or the walls.

Set length of stroke

Please note that the minimum and maximum lifting height is preset and there may be severe damage to the lift, mounting frame, beamer etc.

- Connect the beamer lift to the mains connection
- Set the desired end positions of the lifting height on the adjusting screws directly on the motor
- The lift is factory set so that it retracts to the maximum. A space of 5 cm remains between the base plate and the ceiling.
- The end stop is now set so that there is also space for beamers with a greater height. Adjust the upper end stop so that the beamer has enough space between the base plate and the ceiling.
- Now set the desired maximum exit height.



- Adjust the length of the cable drag chain to the lifting height. Make sure that the kink area does not run beyond the device storage space. If necessary lay them in the offset (2 kink areas). It is also possible to move the upper fastening point of the cable routing (direct ceiling fastening) in order to move the kink area of the cable duct over the installation area.
- Move the lift to the top position and check the minimum installation height when retracted. Compare this with the height of the beamer to be installed to rule out that it can be pinched when driving in.
- Also observe the assembly instructions of the projector manufacturer regarding installation dimensions in closed housings to ensure operation and ventilation.
- Test the space in a trial operation before installing the beamer on the base plate and check for quiet and smooth operation. Make sure that the lift runs freely.
- If necessary, use a pedestal or a ladder to ensure that the lower plate is easily accessible to you. A platform is preferable to a ladder. Make sure that the platform or the ladder is secure!

Safety instructions

Risk of falling! When installing the beamer on the lift it might fall down. To attach the beamer to the lift, you may need a platform or a ladder for each person. A platform is preferable to a ladder. Make sure that the platform and / or the ladder is secure.

Danger of falling of the beamer on bystanders during operation. Fix the beamer.

Make sure that the beamer including the plugged-in cable does not protrude beyond the permitted installation space in order to avoid collisions between the projector and the lift or surrounding components during operation.

Risk of shear due to surprising start of the lift while installing the beamer. If the ceiling mount starts up unexpectedly during the installation process, fingers could be sheared off. Before installing the beamer, disconnect the ceiling mount from the power supply and put the plug in sight so that you can supervise it immediately to prevent unauthorized insertion. Move the lift to the lower position before separating the energy connection.

Risk of electric shock! If the beamers power cable gets into the mechanics of the lift, this can damage the cable insulation and make parts of the lift conductive. It is therefore essential to route the cables in the energy supply chain.

Installation of the beamer within the lift (standing)

- Move the lift to the lowest position.
- Disconnect the power supply to the lift by pulling the power plug. Place the power plug in sight to prevent accidental insertion by an uninvolved person.
- Fix the beamer using the included mounting materials.
- Attach one end of the cable guide to the platform and the other end to the ceiling. When installing, make sure that the cable guide does not protrude beyond the installation surface of the projector when it is retracted.
- Lay all the required cables in the cable guide, making sure that they are the correct length. The cables must not be pulled too tight or get caught. Note: The lift is provided with a cable duct that is suitable for a limited number of cables. We do not recommend cables with large diameters as these cannot be suitable for mobile installation due to their large bending radius.
- Now restore the power supply to the lift. Test the proper installation of the beamer by means of a test run before you release the ceiling bracket for use.
- Make sure that the trial run runs smoothly and that there is enough space for the beamer, substructure and lift.

Safety instructions

Risk of falling! When installing the beamer on the lift it might fall down. To attach the beamer to the lift, you may need a platform or a ladder for each person. A platform is preferable to a ladder. Make sure that the platform and / or the ladder is secure.

Danger of falling of the beamer on bystanders during operation. Fix the beamer.

Make sure that the beamer including the plugged-in cable does not protrude beyond the permitted installation space in order to avoid collisions between the projector and the lift or surrounding components during operation.

Risk of shear due to surprising start of the lift while installing the beamer. If the ceiling mount starts up unexpectedly during the installation process, fingers could be sheared off. Before installing the beamer, disconnect the ceiling mount from the power supply and put the plug in sight so that you can supervise it immediately to prevent unauthorized insertion. Move the lift to the lower position before separating the energy connection.

Risk of electric shock! If the beamers power cable gets into the mechanics of the lift, this can damage the cable insulation and make parts of the lift conductive. It is therefore essential to route the cables in the energy supply chain.

Installation of the beamer under the lift (hanging)

- Move the lift to the lowest position
- Disconnect the power supply to the lift by pulling the power plug. Place the power plug in sight to prevent accidental insertion by an uninvolved person.
- If necessary, cover the installation area from below. Make sure that the lifting capacity of the lift is not exceeded by the overall construction and that the frame fits into the assembly opening.
- Fix the beamer using the included mounting materials.
- Now attach one end of the cable guide to the platform and the other end to your ceiling. When installing, make sure that the cable guide does not protrude beyond the installation surface of the projector when it is retracted.
- Lay all the required cables in the cable guide, making sure that they are the correct length. The cables must not be pulled too tight or get caught. Note: The lift is provided with a cable duct that is suitable for a limited number of cables. We do not recommend cables with large diameters as these cannot be suitable for mobile installation due to their large bending radius
- Restore the power supply to the lift. Test the proper installation of the beamer by means of a test run before you release the ceiling bracket for use.
- Make sure that the trial run runs smoothly and that there is enough space for the beamer, substructure and lift.

Safety instructions

Risk of falling! When installing the beamer on the lift it might fall down. To attach the beamer to the lift, you may need a platform or a ladder for each person. A platform is preferable to a ladder. Make sure that the platform and / or the ladder is secure.

Danger of falling of the beamer on bystanders during operation. Fix the beamer.

Make sure that the beamer including the plugged-in cable does not protrude beyond the permitted installation space in order to avoid collisions between the projector and the lift or surrounding components during operation.

Risk of shear due to surprising start of the lift while installing the beamer. If the ceiling mount starts up unexpectedly during the installation process, fingers could be sheared off. Before installing the beamer, disconnect the ceiling mount from the power supply and put the plug in sight so that you can supervise it immediately to prevent unauthorized insertion. Move the lift to the lower position before separating the energy connection.

Risk of electric shock! If the beamers power cable gets into the mechanics of the lift, this can damage the cable insulation and make parts of the lift conductive. It is therefore essential to route the cables in the energy supply chain.

Installation of the ceiling frame or a lower cover

- Move the lift to the lowest position.
- Cover the underside directly or with the threaded rods and the installation frame.
- Slowly raise the projector lift with the remote control. At the end, adjust the threaded rods so that the mounting frame is flush with the rest of the ceiling.
- Pay attention to maximum load capacity of the lift.
- Check the positioning by a test run of the lift and make sure that it fits into the suspended ceiling without resistance. If necessary, adjust until the panel fits exactly into the inserts.

Direct cladding on hanging projectors

- Move the lift to the lowest position.
- Cover the underside directly or with the threaded rods and the installation frame.
- Check the length of the supplied threaded rods and bring them to the desired length if necessary. Make sure there is sufficient space between the beamer and the ceiling frame so that you have the option of changing the installation height if necessary.

- Cover the installation frame.
- Slowly raise the lift with the remote control. At the end, adjust the threaded rods so that the mounting frame is let-in flush with the rest of the ceiling.
- Pay attention to the maximum load of the lift
- Check the positioning by a test run of the lift and make sure that it fits into the suspended ceiling without resistance. If necessary, adjust until the panel fits exactly into the inserts.

Trial run after installation

A trial run must be performed to:

- check the position of the cover to the suspended ceiling to avoid blockage.
- check the length of the cables in the lower end position.
- check that there are no loose parts in or under the lift.
- check the voltage of the 220 V socket / power supply for the lift.

Now you can finally connect the power plug to a rated socket near the lift in the ceiling. If necessary, install strain reliefs for the cables and the plug connections. Fix all supply cables so that no cables can come loose and get caught in the beamer lift.

In operation

Opening the projector lift

Open the projector lift by pressing the corresponding button on the remote control.

Safety instructions when opening the projector lift

Danger of impact from the descending lift! When lowering the lift, people standing underneath could be bumped into. Arrange the beamer lift in the room so that when the beamer is lowered (opening the lift) you cannot get caught between the lift and surrounding objects or the walls.

Closing the projector lift

Close the beamer lift by pressing the corresponding button on the remote control.

Safety instructions when closing the beamer lift

Risk of shear on the mechanics of the lift! There is a risk of fingers being sheared in the areas of shear joint technology and the deflection roller. Under no circumstances reach into the shear mechanism of the beamer lift. Risk of shear on the shear joint mechanism! The shear joint mechanism is an incentive for children to play. When playing with the lift, children could grab the mechanism and shear their fingers. The beamer lift must not be operated by children. Keep the radio control out of the reach of children.

Use a hard-wired blind switch only in offices in a commercial environment and not in private rooms, because the hard-wired blind switch enables the lift to be operated for children.

Risk of damage to the beamer due to overheating! The beamer cannot be properly ventilated when it is retracted. If the lift is retracted immediately after the beamer has been in operation while it is still hot, this can damage the beamer due to overheating. Allow the beamer to cool down for at least 10 minutes before retracting the lift. Observe the operating instructions of the beamer manufacturer.

Risk of fire! If the lift is retracted while the beamer is still very hot, this can lead to a fire. For this reason, the beamer lift may only be used in conjunction with ceilings that meet the flammability requirements of EN 13501-1: Euroclass B-s1, d0 (requirements for suspended ceilings). Under no circumstances should flammable materials be used in the vicinity of the retracted beamer.

Bug fix

Lift jams when moving down (opening)

The lift has been designed in such a way that it is unlikely that the mechanics will jam when the lift is opened. This is ensured by safe and clear guidance of the tension belt.

Disconnect the power supply

If the beamer lift does not lower, even though engine noise can be heard when it is actuated, this could be due to a blockage in the mechanics. When the blockage is released, the lift with beamer could suddenly fall down into the lower position and on people below. When inspecting and releasing the blockage, be careful not to stand under the lift. In the event of a defect, do not carry out any repair work. Contact the customer service: See contact below.

Safety instructions

Risk of shear in the event of an unexpected start! If the ceiling mount starts unexpectedly when a blockage is released, fingers could be sheared off. Therefore, do not reach into the mechanics of the ceiling bracket when loosening a blockage. Before loosening a blockage, disconnect the ceiling mount from the power supply and put the plug away in the immediate vicinity so that you can supervise it immediately to prevent unauthorized insertion.

Ceiling bracket jams when moving up (closing)

The lift has been designed in such a way that it is unlikely that the mechanism will jam when the lift is closed. This is ensured by safe and clear guidance of the tension belt.

Disconnect the power supply

If the beamer lift does not lower, even though engine noise can be heard when it is actuated, this could be due to a blockage in the mechanics. When the blockage is released, the lift with the installed beamer could suddenly fall down into the lower position and on people below. When inspecting and releasing the blockage, be careful not to stand under the lift. In the event of a defect, do not carry out any repair work. Contact the customer service: See contact below.

Safety instructions

Risk of shear in the event of an unexpected start! If the lift starts unexpectedly when a blockage is released, fingers could be sheared off. Therefore, do not reach into the mechanics when loosening a blockage. Before loosening a blockage, disconnect the lift from the power supply and put the plug away in the immediate vicinity so that you can supervise it immediately to prevent unauthorized insertion.

Remote control of the ceiling bracket cannot be found

If the remote control is lost, a new one can be provided. The lift can also be operated via a universal remote control, which is not included. Please note the operating instructions for the universal remote control. When installing the beamer provide an inspection opening that allows access to the beamer from behind, even if it is fully retracted.

In offices and when used in commercial areas, we recommend that you provide a hard-wired blind button in addition to the remote control (contact us for the connection diagram). The lift can also be used in the event that the remote control is lost. Use a hard-wired blind switch only in offices in a commercial environment and not in private rooms, because the hard-wired blind switch enables the lift to be operated for children.

Cleaning, maintenance, servicing

We recommend an annual security check

Clean surfaces with a soft duster. Do not use wax, polishing spray or aggressive cleaners.

Check the system regularly to detect any signs of damage. Do not use the controller if repair work is required.

- Check the belt for cracks and other signs of wear
- Check the motor, shaft and bearings for signs of wear
- Check function of upper and lower limit switch

Safety instructions

Risk of electric shock! Do not use liquids to clean the ceiling bracket. Before carrying out any cleaning work, disconnect the ceiling bracket from the power supply by pulling the power plug and placing it in sight so that you can monitor it immediately to prevent unauthorized insertion. Simply wipe the ceiling bracket with a dry or slightly damp cloth. When cleaning the projector, observe the operating instructions of the projector manufacturer.

Decommissioning, disassembly, disposal

- Disconnect all cables from the projector
- Remove the projector from the holder
- Drive the projector into the closed position
- Remove all additional components eg. Built-in frame
- Disconnect the lift from electricity
- Support the lift
- Lower the lift and keep it safe for removal.

Safety instructions

When dismantling, pay attention to fastening material that can fall down.
The same safety instructions apply for disassembly as for assembly

OPTIONAL

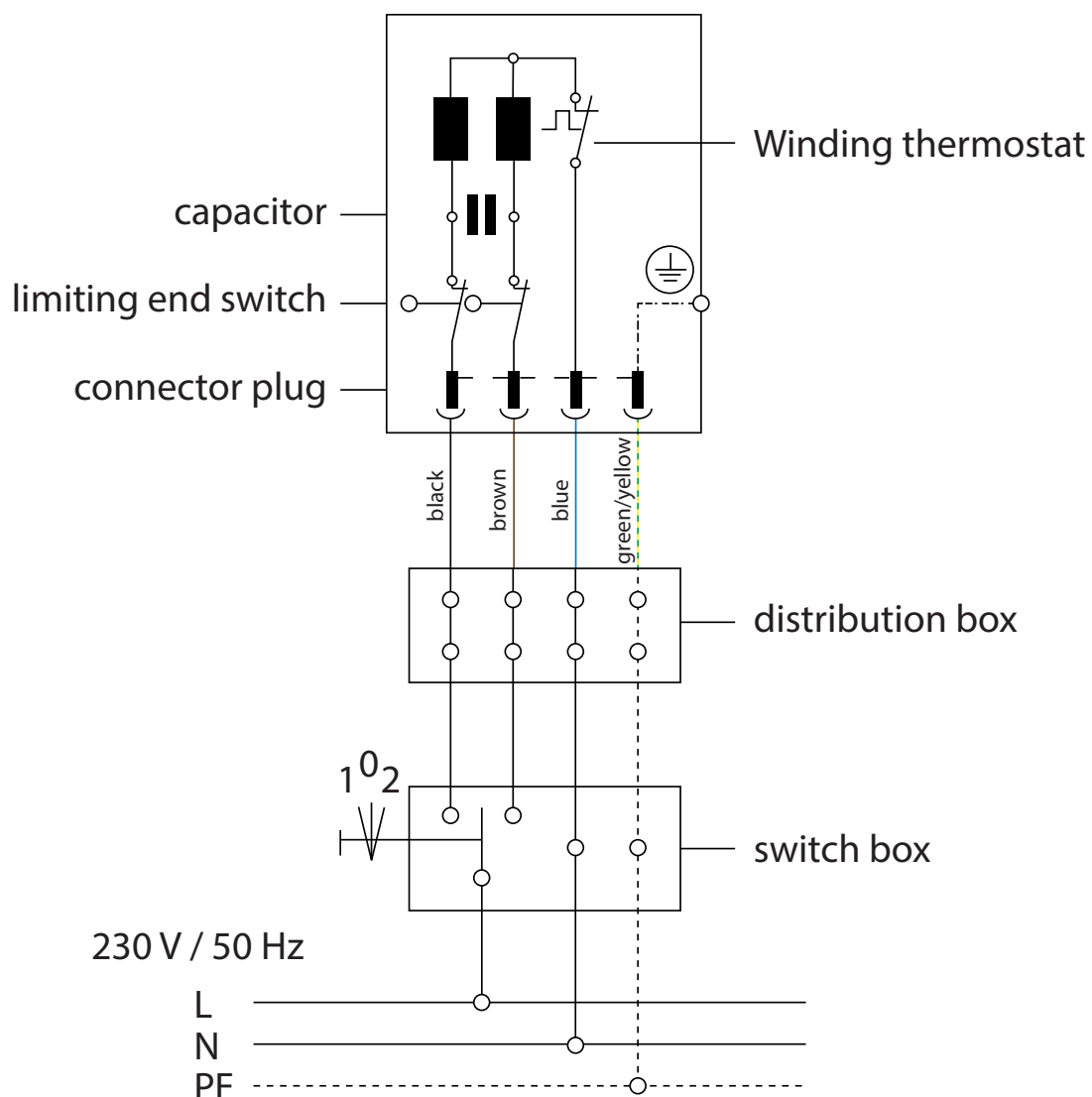
Connection of alternative controls

The lift can alternatively be used with a wall switch, key switch or any home control, for example. GIRA can be controlled. Please contact our customer service, we will send you the occupancy plan of the radio control and the installed motor.

Home fix via media control

For integration into a media control, a corresponding receiver must be obtained from the supplier / manufacturer of the media control. The receiver replaces the receiver of the handheld transmitter included in the scope of delivery. In the Homefix article, a tubular motor is used, which is also used in blind technology. With almost all manufacturers of media control systems, this note is sufficient to obtain the correct recipient.

Connection using the example of VariEco 230 V / 50 Hz



- ⓘ Please note! The motor control for up and down must be locked against each other.
- ⓘ A switch over delay of 0.5 seconds must be ensured.
- ⓘ Parallel connection only possible with isolating relay.

IMPORTANT!

- The device must not be operated by children up to 16 years of age or by persons with limited psychophysical abilities; unless they are supervised or instructed in terms of operation and use.
- Do not allow children to play with the device and keep radio control out of reach.
- **ATTENTION:** keep these installation guide and observe the important safety instructions contained therein: Failure to comply with the regulations could cause damage as well as serious accidents.
- Check the system regularly to detect any signs of damage.
Do not use the controller if repair work is required.
- Installation height 2.50 m and higher. With mounting heights within reach, the lift must be secured in such a way that it cannot be accessed, for example by a closed housing.
- Danger of falling if the lift does not lower, even though engine noises can be heard when it is actuated, this could be due to a blockage in the mechanics. When the blockage is released, the lift could suddenly drop into the lower position. When inspecting and releasing the blockage, be careful not to stand under the lift. In the event of a defect, do not carry out any repair work, but contact the manufacturer - see contact below.
- Only operate the lift when there are no people next to or below it.
Only operate the lift when you are in sight.
- When loosening a blockage, do not reach into the mechanics of the lift. Before loosening a blockage, disconnect the lift from the power supply and put the plug away within a short distance of sight so that you can monitor it immediately to prevent unauthorized insertion
- do not reach into the lift when it is moving
- Clean surfaces with a soft duster. Do not use wax, polishing spray or aggressive cleaners.
- Do not place the device in the rain or bring it into contact with water or moisture. Not even for cleaning. Always place the lift at a sufficient distance from sources of moisture.

Danger

All operations that require to open the housing (cable connection, programming etc.) must be carried out by qualified personnel. For any further operation that requires the housing to be reopened (reprogramming, repair or changes during installation), technical customer service must be consulted.

Warning: Proper assembly is imperative and is beyond the responsibility of the manufacturer / supplier. The supplied fastening materials are only for mounting on ceilings made of solid wood, masonry, concrete. For ceilings made of other materials (e.g. hollow blocks, lightweight panels), please contact your installer and/or specialist dealer. During installation, the instructions for the devices to be attached or fastened (such as the beamer) must also be observed. The manufacturer / supplier assumes no liability for improper use that does not comply with the regulations.

Konformitätserklärung

EG-Konformitätserklärung
im Sinne der Richtlinie 2006/42/EG, Anhang II Teil 1 A

Hersteller Name und Adresse:

HAGOR Products GmbH
Oberbecksener Straße 97
32547 Bad Oeynhausen

Hiermit erklären wir, dass die Beamerdeckenlift Produktserie „Homefix“, Baujahr 2013 folgenden einschlägigen Bestimmungen entspricht:

- Maschinenrichtlinie 2006/42/EG
- EMV-Richtlinie 2004/108/EG

Angewandte harmonisierte Normen, deren Fundstellen im Amtsblatt der EU veröffentlicht worden sind:

- EN ISO 12100 03/2011
Sicherheit von Maschinen - Allgemeine Gestaltungsleitsätze -
Risikobeurteilung und Risikominderung
- EN 60335-1 10/2012
Sicherheit elektrischer Geräte für den Hausgebrauch und ähnliche Zwecke -
Teil 1: Allgemeine Anforderungen

Angewandte nationale Normen und technische Spezifikationen:

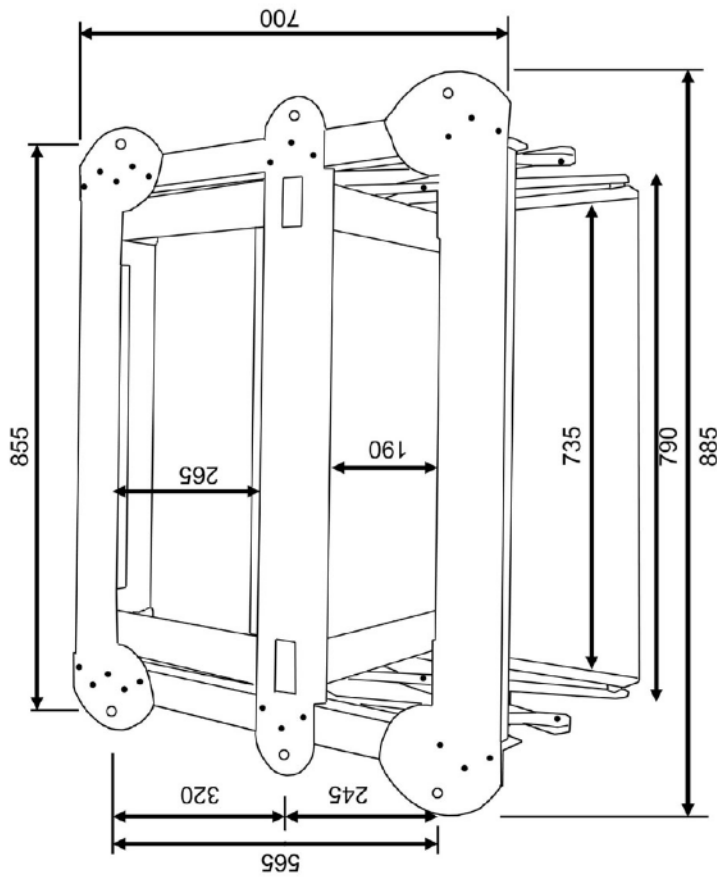
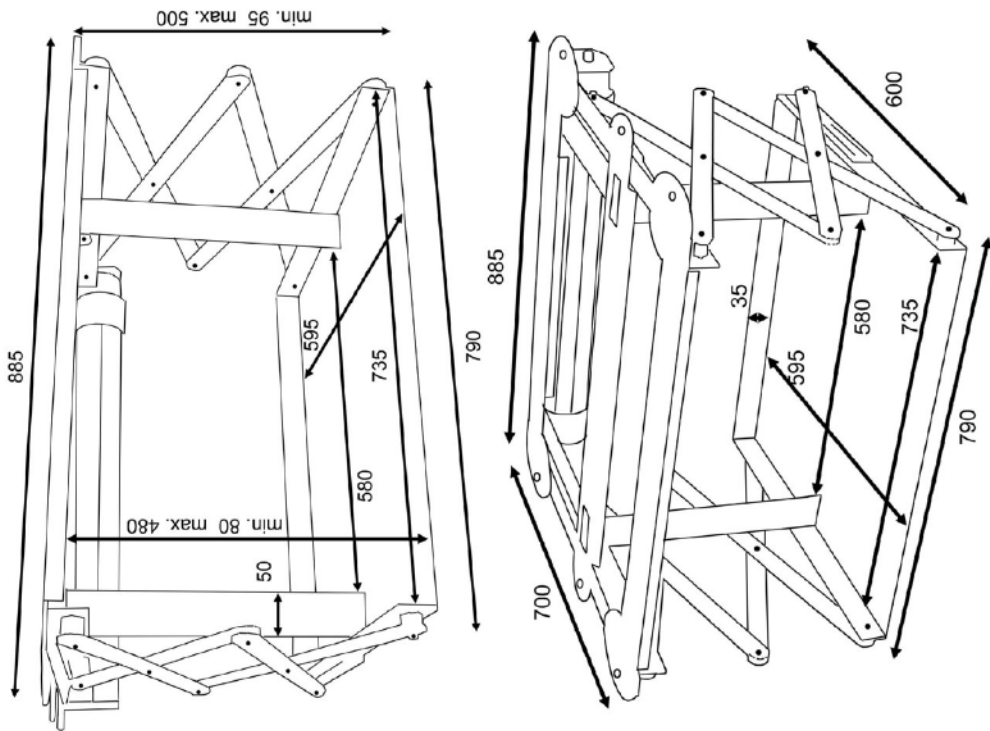
- VDI-Richtlinie 2854

Bevollmächtigter für die Zusammenstellung der technischen Unterlagen:



Sascha Hahndorf

Diese EG-Konformitätserklärung wurde ausgestellt:
Bad Oeynhausen 01.09.2013
(Ort, Datum, Unterschrift)



Masse in mm / technische Änderungen vorbehalten

